

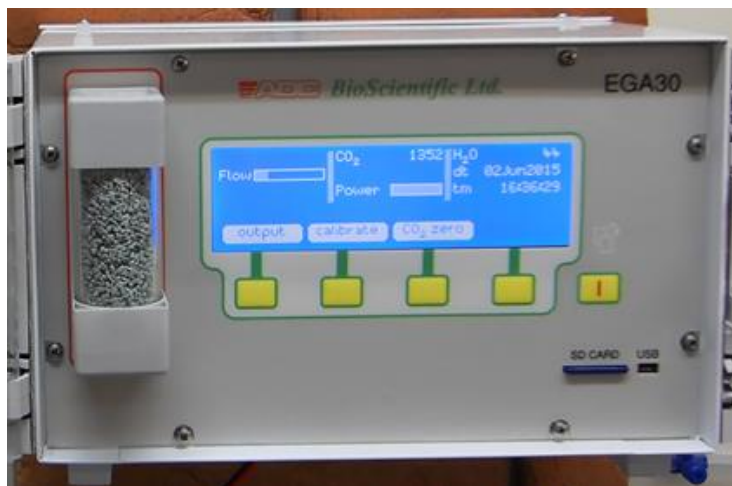


EGA30 series



A versatile CO₂ and humidity monitor

The EGA30 is a wall mounted CO₂ infra-red gas analyser with advanced sensors for water vapour measurement.



- Accurate CO₂ infra-red gas analyser
- H₂O by laser trimmed sensor
- Integral sample pump
- Auto logging to SD memory card
- 2 user configurable alarm relays
- 7 analogue inputs
- USB and analogue output

ADC BioScientific Ltd: Leaders in gas analysis

For over 25 years ADC's name has been synonymous with quality gas analysis. In thousands of laboratories, all over the world, researchers are using ADC technology to accurately measure concentrations of analytical gasses.

Assured accuracy

The EGA30 features a thermostatically controlled infra-red gas analyser, ensuring stability over a wide range of operating temperatures. By controlling the temperature above ambient levels we remove the possibility of humid sample gasses condensing inside the gold plated analysis cell.

H₂O measurement is by the latest technology, laser trimmed sensors.

All readings are automatically compensated for changes in atmospheric pressure.

Quick and easy installation

The EGA30 can be installed and monitoring in minutes. A two part bracket is simply screwed into the wall, all electrical connections can be prewired to a multiway plug, which is easily plugged into a socket on the rear panel. The supplied power connector plugs into a socket on the rear panel and the EGA30 can then be mounted onto the bracket. The whole process can be carried out in 15 minutes.

Designed for long-term monitoring

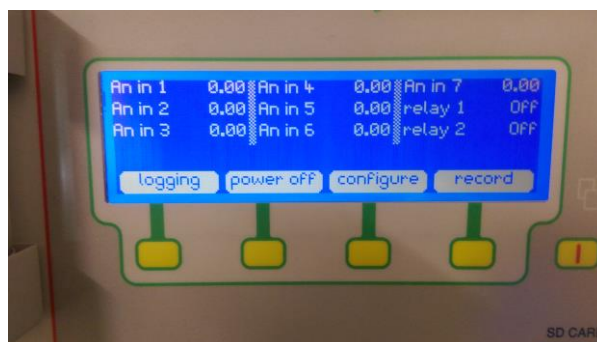
The EGA30 has a long life sample pump which is designed to give many years of service. The integral soda lime column is used to auto zero the infra-red gas analyser, ensuring long-term stability of gas calibration.

The storage capacity of the supplied 2Gb, SD memory card provides enough space for hundreds of thousands of data sets.

An integral battery backup delivers enough power for 5 hours of operation should the main electrical supply fail.

Data storage can be initiated by a high signal on the CTS line of the RS232, when an analogue input gets to a particular level, after one of the relays actuates or at timed intervals.

Information is presented on a large, LED backlit LCD display.



Gas readings, flow indication, power supply status and date and time are all displayed on the main menu screen. Configuration and control is by simple to use, menu driven software



EGA30

Robust and durable

The EGA30's protective, hinged, front panel gives the membrane overlay protection against the ingress of dirt, dust and water. It also deters unauthorised access to the keypad and memory card.



Flexible inputs and outputs

The EGA30 has seven 12 bit analogue inputs for connection to external sensors or DC voltage signals. These inputs are logged together with the date, time, gas readings, flow, atmospheric pressure and relay status.

A single analogue output (voltage or current) can be assigned to any of the measured parameters.

Data download can be via the high speed USB port or the SD memory card can be removed and plugged into a card reader or a suitable memory card slot on a PC. All data is stored in an ASCII comma separated variable (.CSV) format.

Applications

- Greenhouse monitoring and control
- Growth chamber monitoring and control
- Indoor air quality monitoring
- Process control
- Atmospheric air monitoring



ADC Bioscientific Ltd
Global House
Geddings Road
Hoddesdon
Herts EN11 0NT
UK

Tel: +44 (0)1992 464527 Fax: +44 (0)1992 444245

sales@adc.co.uk www.adc.co.uk

Technical specifications:

CO₂: 0 - 2000ppm as standard

Resolution: 1ppm

H₂O: 0-100% RH,

Resolution: 1% RH

Pump flow maximum: At least 500cc/min

Flowmeter: 0 - 500cc/min

Internal Backup battery: 12V lead acid, 2.1Ahr

DC Voltage in: Minimum 11.5V Maximum 17.5V

DC Current in: 1A maximum. Protected with replaceable fuse.

Analogue input channel resolution: 12 bit.
Accuracy +/- 1.5%

Atmospheric pressure range: 600-1100 mbar.
Accuracy -4/+2 mbar

IP rating: 42

Dimensions: Width 287mm x Depth 191mm x
Height 168mm

ADC BioScientific Ltd. specialises in the design and manufacture of non-dispersive infra-red gas analysers and associated equipment for a wide variety of applications and markets.

Whilst every care has been taken in producing this publication, no responsibility can be assumed for possible inaccuracies or omissions.

ADC is constantly improving the design and quality of its products and modifications may be made from time to time.

